

Table of Contents

Chapter 1. Product Overview	- 3 -
1.1 Product Appearance	- 3 -
1.2 Ports Description	- 4 -
1.3 LED Indicator	- 4 -
1.4 Features	- 4 -
1.5 Specifications.....	- 4 -
Chapter 2. Product Installation	- 6 -
2.1 Hardware Installation.....	- 6 -
2.2 Hardware Connection	- 8 -
2.2.1 System Requirement.....	- 8 -
2.2.2 Installation Environment.....	- 8 -
Chapter 3. Quick Setup Wizard	- 10 -
3.1 Set up PC	- 10 -
3.2 Connect to AP.....	- 11 -
3.3 Setup AP	- 13 -
Chapter 4. WLAN Controller Setup	- 14 -
4.1 WLAN Controller Connection	- 14 -
4.2 How to Use AC500	- 14 -

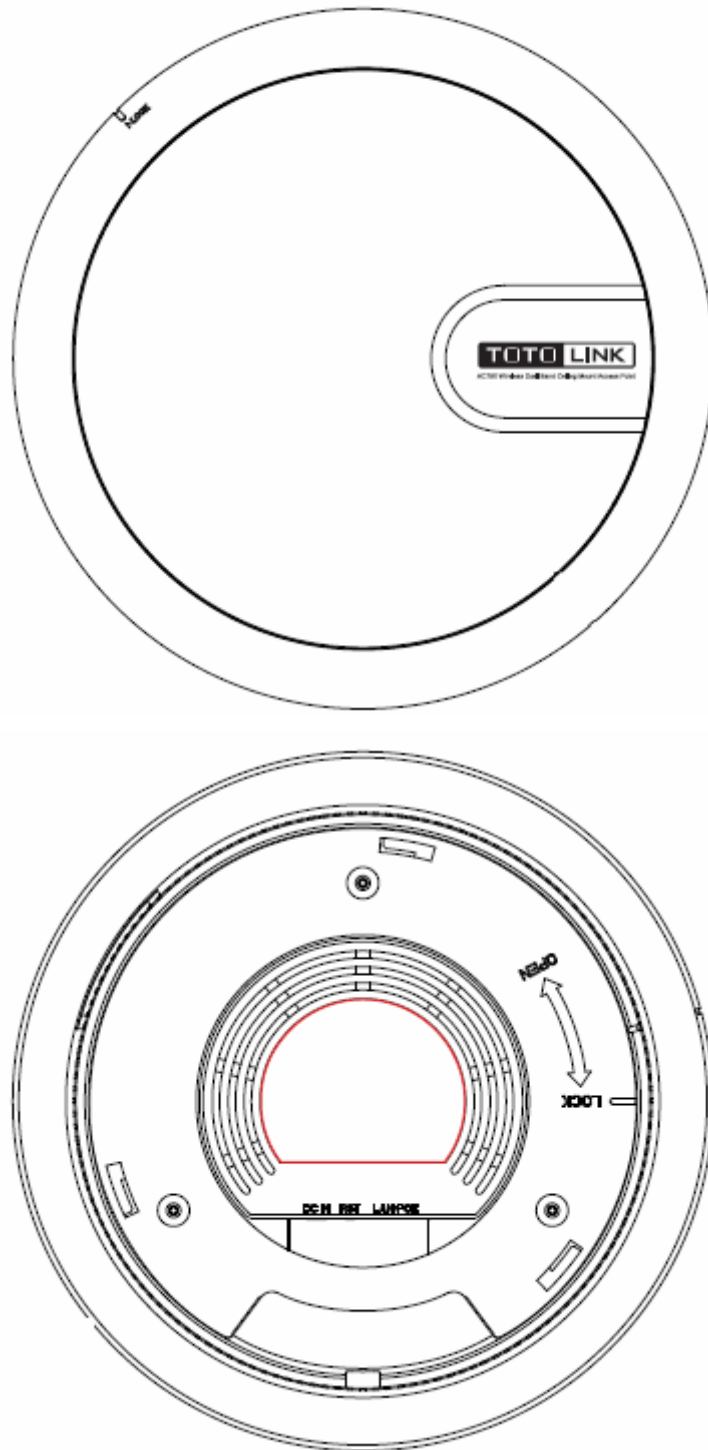
Copyright Statement

All the photos and product specifications mentioned in this manual are for references only, as the upgrading of software and hardware. They are subject to change without notice. No part of the specifications may be reproduced in any form or by any means or used to make any derivative such as translation, transformation, or adaptation without permission from TOTOLINK. For more information, please visit our website at <http://www.totolink.net>

Copyrights © 2016 by TOTOLINK All rights reserved.

Chapter 1. Product Overview

1.1 Product Appearance



1.2 Ports Description

Port Name	Description
LAN/POE	This port is used to connect to power supply device.
RST	There is a RST button on the rear panel. Press the button for more than 5 seconds, the AP will restore to factory default settings.

1.3 LED Indicator

LED Indicator	Description
Status	When the AP powered on, the indicator lights red first then turns orange.
	While the AP makes a connection successfully, the indicator lights blue.
	After pressing the RST button for about 5 seconds, the indicator flashes blue.

1.4 Features

- Complies with IEEE 802.11ac/a/b/g/n standards for 2.4GHz and 5GHz Wireless LAN.
- Supports IEEE 802.3af/at PoE power supply to simplify the deployment.
- Up to 433Mbps on 5GHz and 300Mbps on 2.4GHz wireless speed.
- Qualcomm Atheros chipsets ensure high performance and stable Wi-Fi.
- High power output for long Wi-Fi range.
- Supports a maximum of 64 clients simultaneously.
- Supports WLAN Controller for centralized management of AP.
- Provides 64/128-bit WEP, WPA, WPA2 and WPA/WPA2 (TKIP+AES) security.
- Three Wi-Fi networks (SSIDs) can be built for easy access management.
- AP/WDS/Repeater mode selectable for different requirements.
- Reboot Schedule provides better stability.
- More clear working status with three colors of LED.

1.5 Specifications

Hardware	
Interface	- 1 *100BaseTX (Auto MDI/MDIX) LAN/PoE Port
Button	- 1 *RST Button

AC750 Wireless Dual Band Ceiling Mount AP

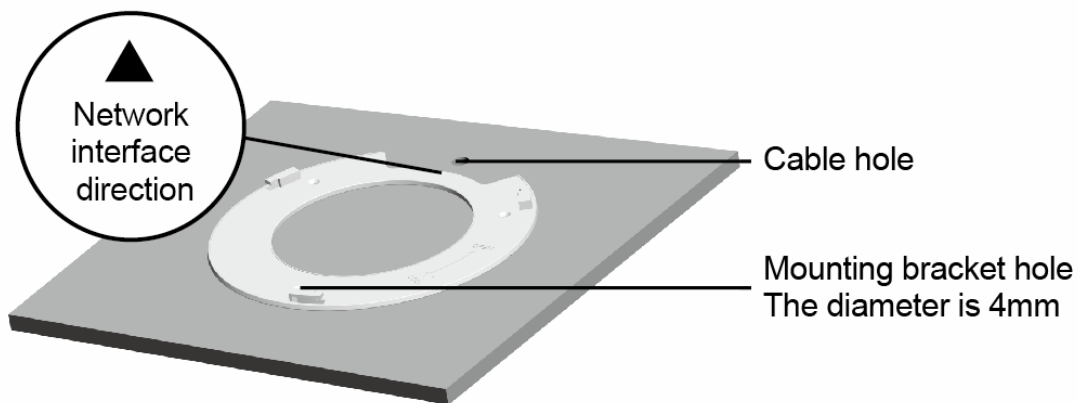
Power Supply	- IEEE 802.3af PoE Power Supply
LED Indicator	- 1 * Status
Antenna	- 2 *Internal Antennas
Dimensions (D x H)	- 9.6 x 2.2 in. (245 x 55 mm)
Wireless	
Standards	- IEEE 802.11ac, IEEE 802.11a IEEE 802.11b, IEEE 802.11g, IEEE 802.11n
RF Frequency	- 2.4GHz/5GHz
Data Rate	- 5GHz: 433Mbps - 2.4GHz: 300Mbps
Wireless Security	- 64/128-bit WEP, WPA/WPA2, WPA-PSK/WPA2-PSK (TKIP/AES)
Reception Sensitivity	- 2.4G: 11b:<-79dbm; 11g: <-68dbm; 11n: HT20<-65dbm HT40: <-61dbm - 5G: 11a:<-68dbm 11ac: HT20<-65dbm HT40: <-61dbm HT80: <-51dbm
Software	
Operation Mode	- Bridge Mode - Repeater Mode
Network	- LAN Status - LAN Settings
Wireless (2.4GHz/5GHz)	- Wireless Status - Basic Setting - Multiple APs - MAC Authentication - WDS Setting - Advanced Setting
Management	- System Log - Administrator Setup - Firmware Upgrade - System Time - Configuration backup/restore - Misc Setup

Chapter 2. Product Installation

2.1 Hardware Installation

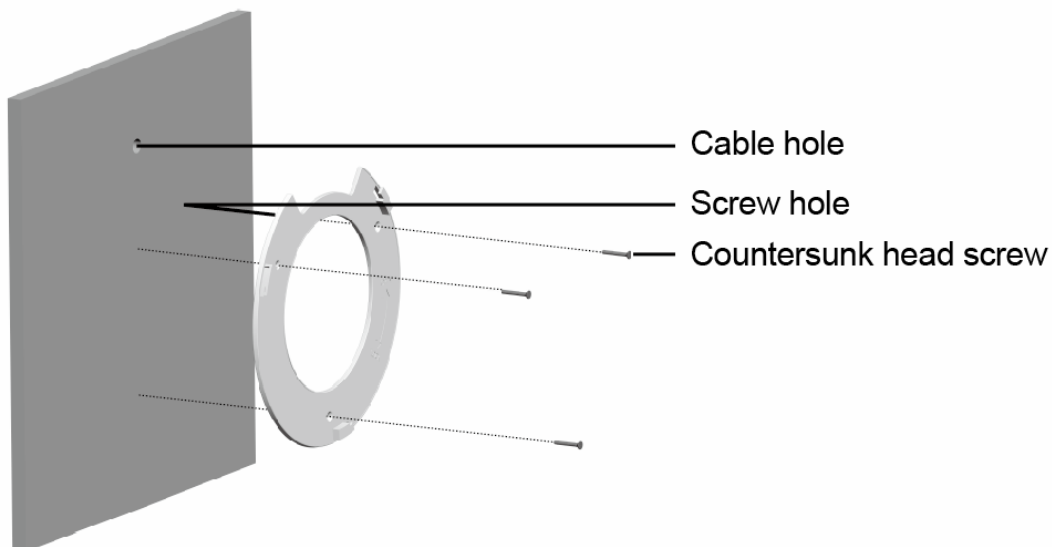
Complete the ceiling installation according to the following steps:

Step 1. Remove a ceiling, put the mounting bracket in the central of the ceiling, mark three open hole locations of the mounting bracket on the ceiling, then follow the instructions of the direction of network interface on the mounting bracket, figure a shadow zone on the ceiling, mark a 10 mm diameter cable hole location;



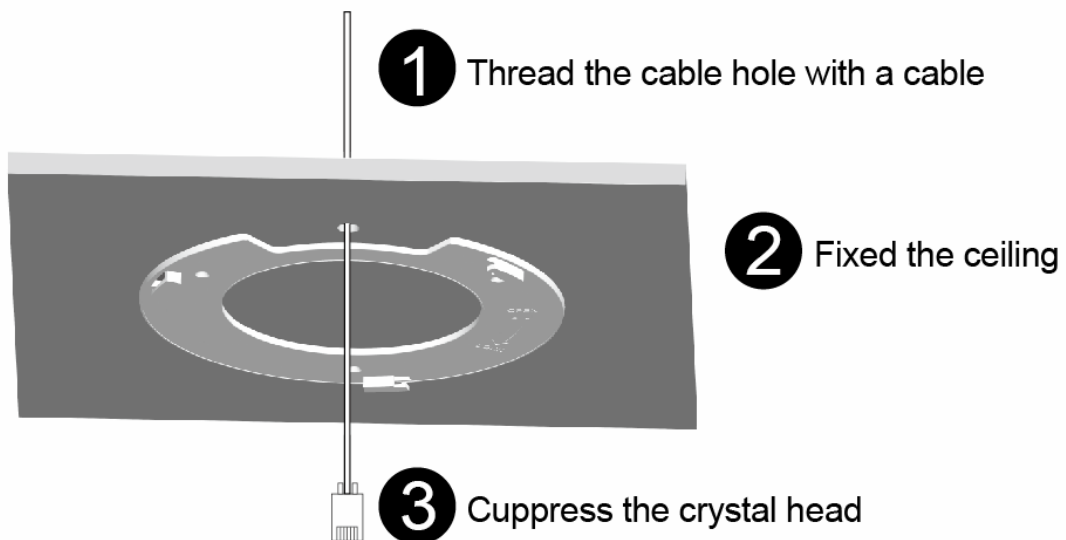
Step 2. According to the location of the mark on the ceiling, drill three 4 mm diameter screw holes and a 10 mm diameter cable hole;

Step 3. As shown in the figure below, fix the mounting bracket with the nut, washer and pan head screw to the ceiling;

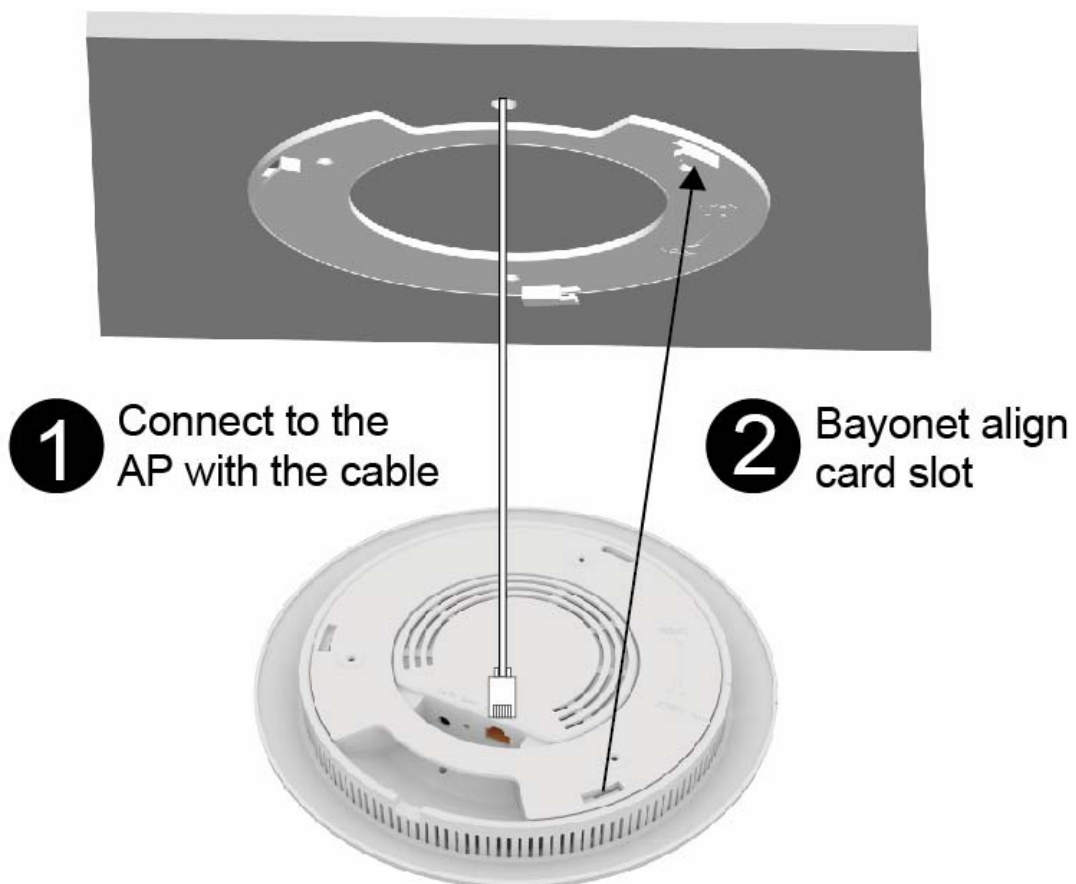


AC750 Wireless Dual Band Ceiling Mount AP

Step 4. Thread the cable through the cable hole, then fix the ceiling and press the crystal head, see below:



Step 5. Plug the cable to the AP's LAN/POE port, align the mounting bracket and AP in the direction of the cable interface and indicator, make sure that the short bayonet align to the short card slot. See below:



Step 6. Embed the AP in the mounting bracket, and clockwise rotation until it fixed.



2.2 Hardware Connection

2.2.1 System Requirement

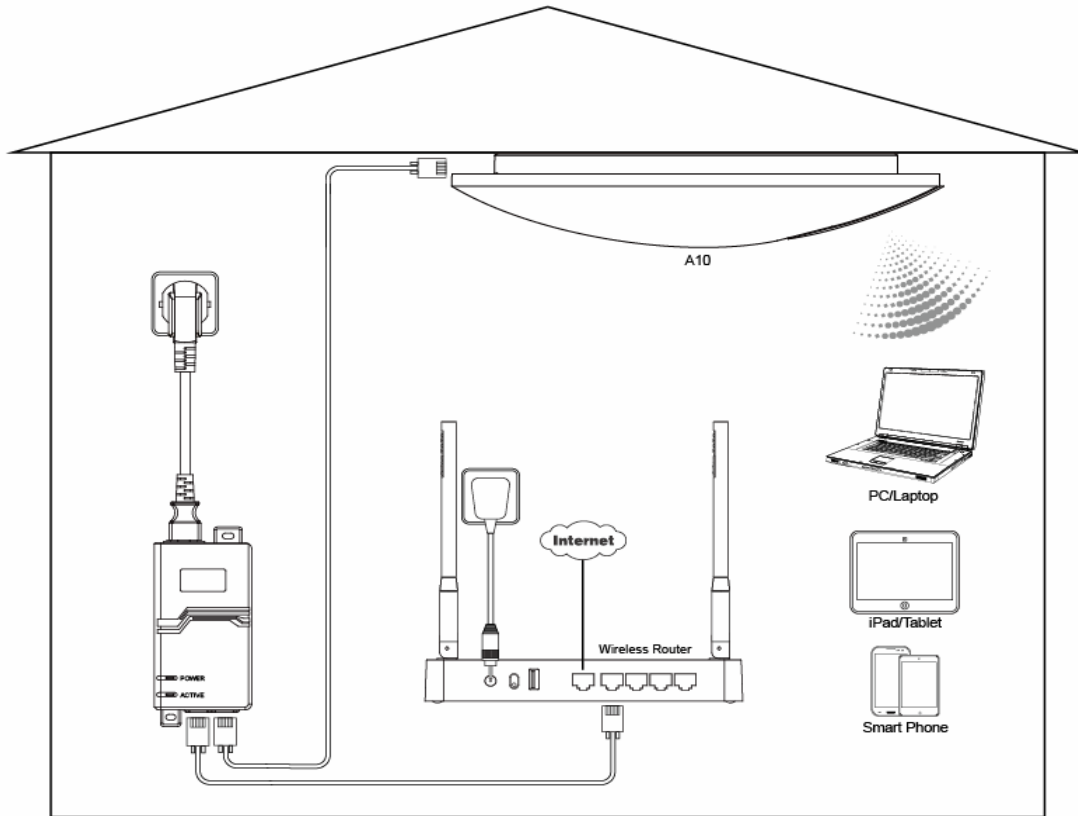
1. RJ45 Ethernet interface
2. Wireless network connection is working
3. System supports TCP/IP protocol
4. Internet Explorer 6.0 or more advanced version

2.2.2 Installation Environment

1. The AP should be in horizontal
2. The AP should be away from heating device
3. Don't put the AP in damp place
4. Temperature: 0℃~40℃
5. Humidity: 5%~95%RH

2.2.3 Connection Diagram

AC750 Wireless Dual Band Ceiling Mount AP



1. Connect TOTOLINK PoE power supply's PoE port to A10's LAN/PoE port to power on A10.
2. Connect PoE power supply's LAN port to wireless router's any one of LAN port.
3. Plug PoE power supply's power cord and router's power into wall socket.
4. Make sure your PC or Laptop's wireless adapter is working normally.

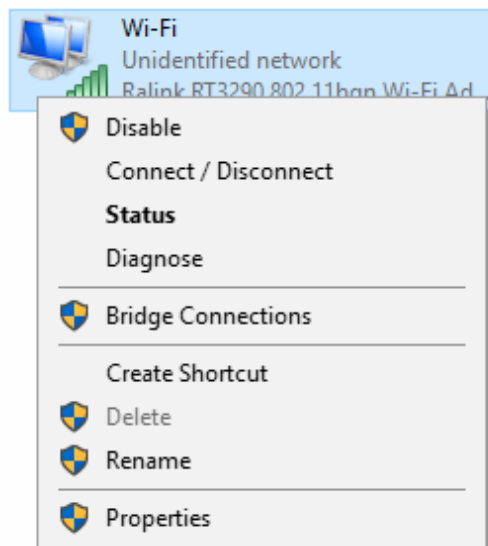
Chapter 3. Quick Setup Wizard

3.1 Set up PC

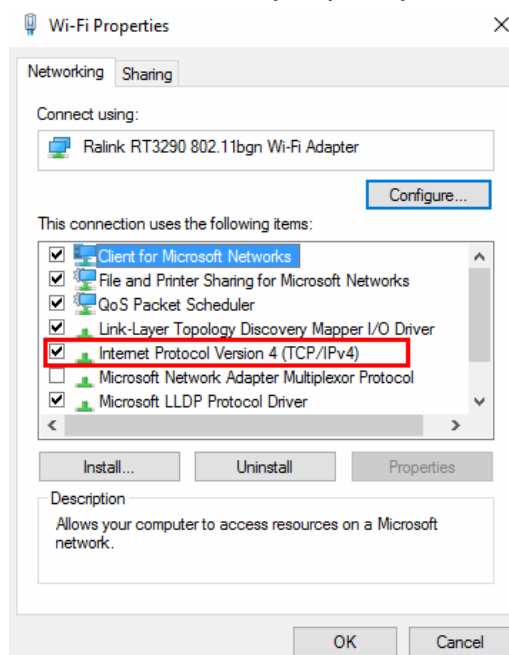
Since A10 don't assign IP address automatically, you're required to setup your PC's IP address manually. For PC or Laptop connected to the A10 wirelessly, please setup the Wi-Fi properties by following steps.

For Windows 10

1. Click **Start— Control Panel— Network and Internet— Network Connection**, right-click **Wi-Fi**, and choose **Properties**.

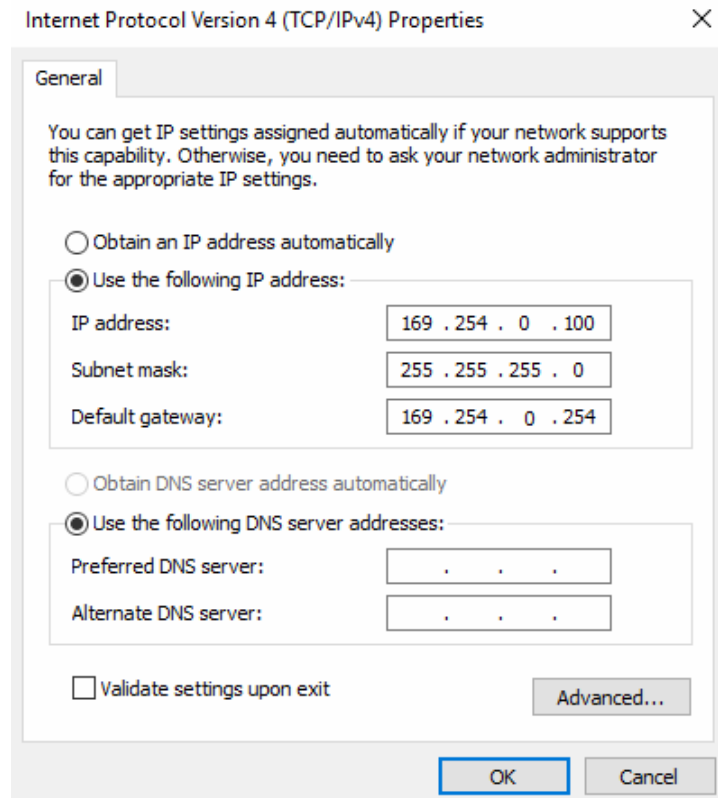


2. Double-click **Internet Protocol Version 4 (TCP/IPv4)**.



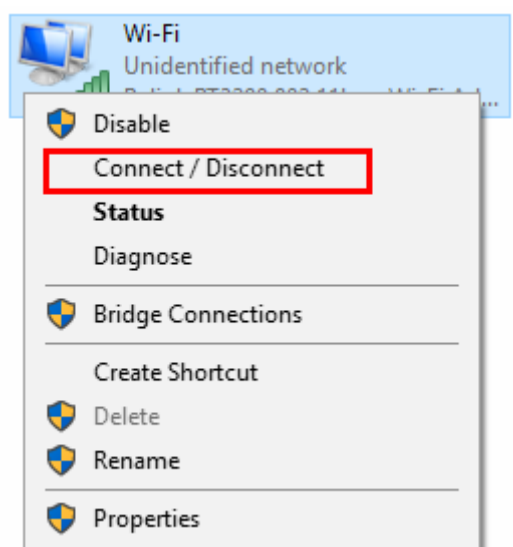
AC750 Wireless Dual Band Ceiling Mount AP

3. Choose **Use the following IP address**, input the IP address in the same network segment with your AP's IP address. By default, A10 has two IP addresses: **192.168.0.254** and **169.254.0.254**. The previous one is only used when your AP not connected to Wi-Fi router. So here we input **169.254.0.254**. See below, then click **OK-OK**.



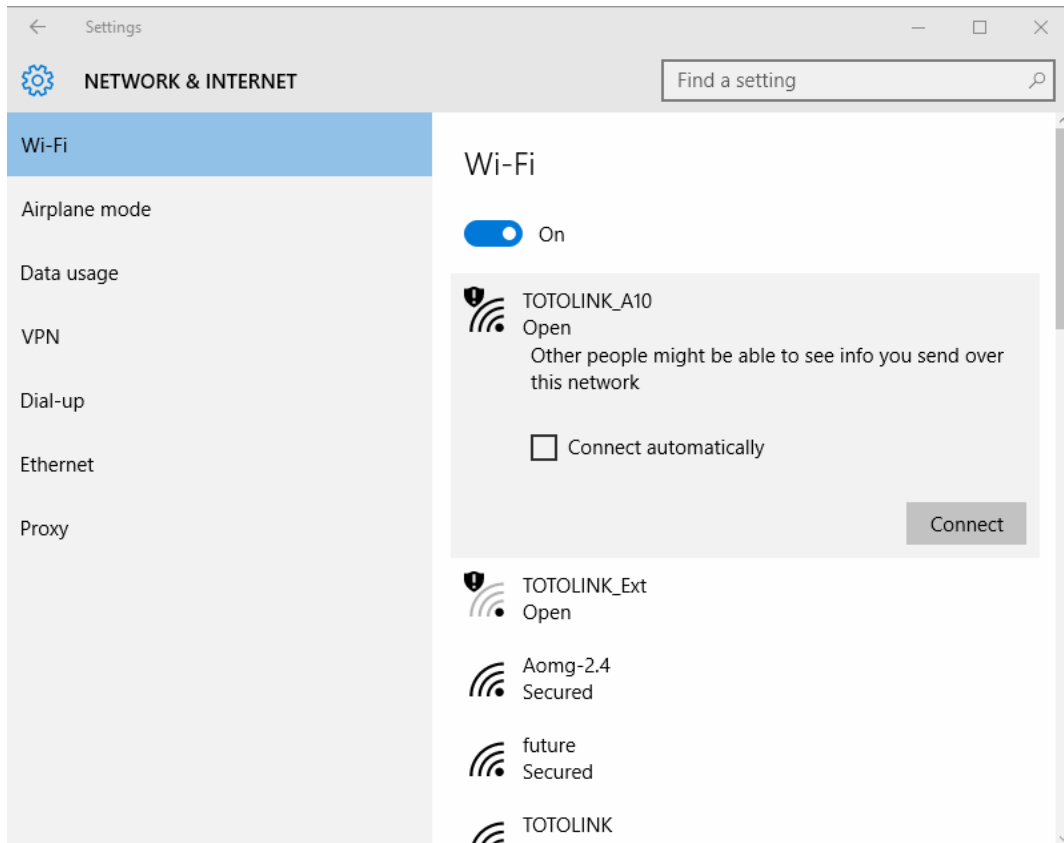
3.2 Connect to AP

1. Right-click **Wi-Fi**, click **Connect / Disconnect**.

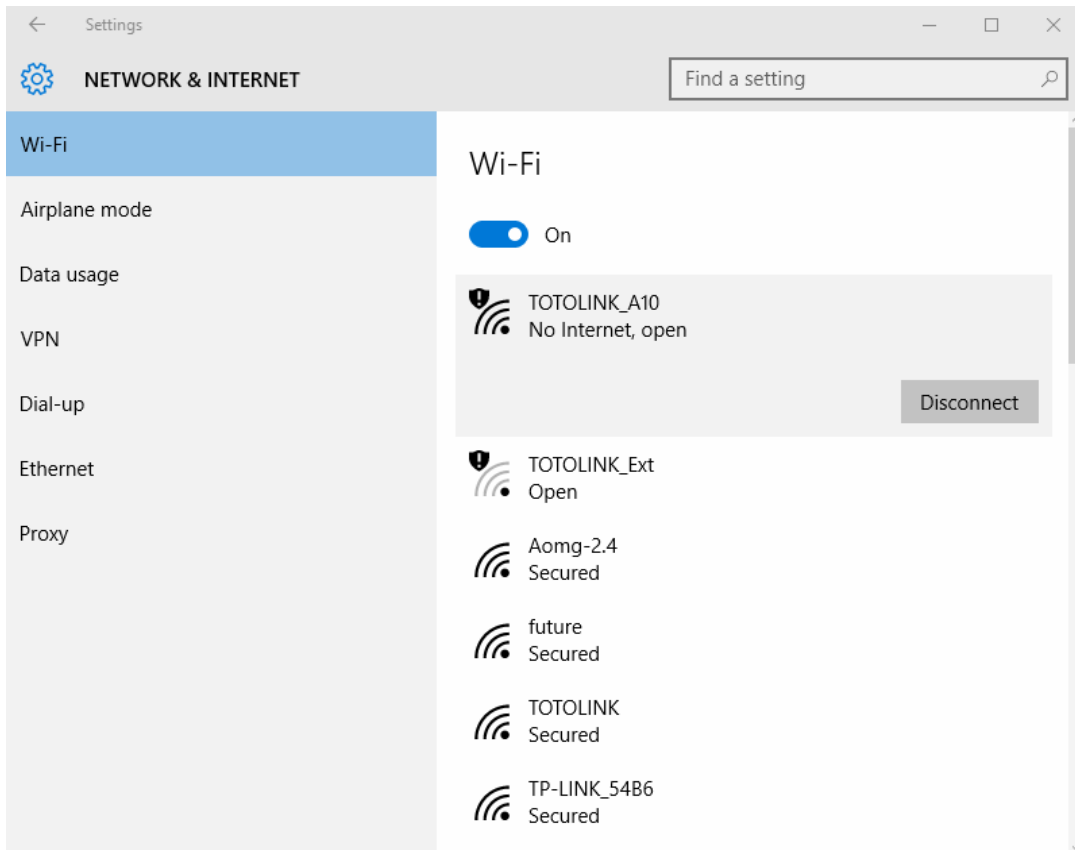


AC750 Wireless Dual Band Ceiling Mount AP

2. Choose TOTOLINK A10, then click **Connect**.



3. No password required by default, connected successfully.



3.3 Setup AP

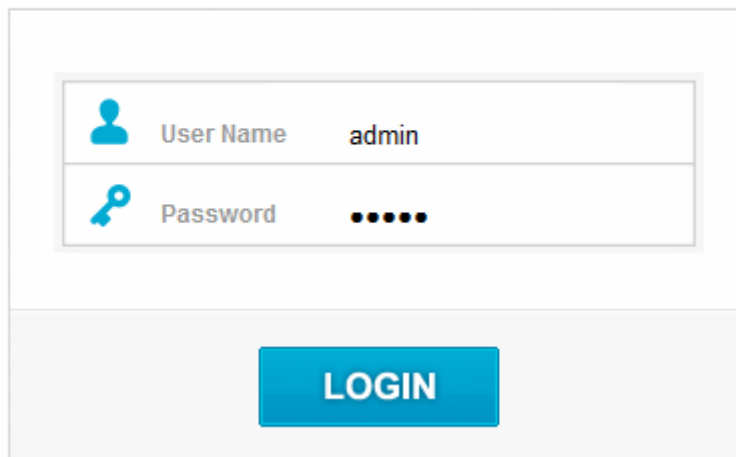
1. Run any web browser, type <http://169.254.0.254> in the web browser, then press Enter.



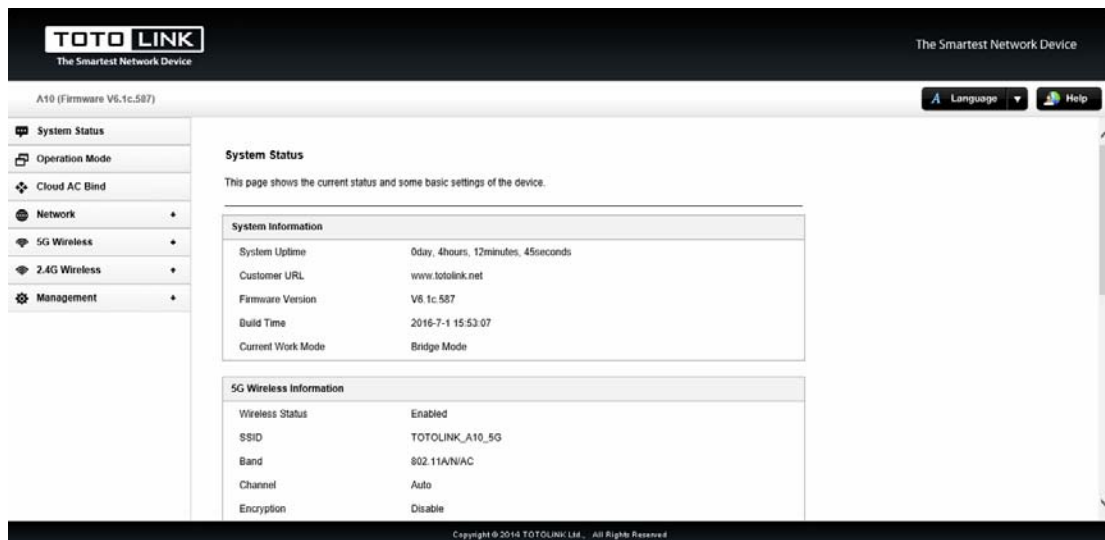
2. Input the User Name and Password, then click Login button (The default User name and Password is admin).

USER LOGIN

The server 169.254.0.254 requires a username and password.

A screenshot of a user login interface. It features two input fields: "User Name" with the value "admin" and "Password" with masked characters. Below the fields is a prominent blue "LOGIN" button. The interface is titled "USER LOGIN" and includes a message: "The server 169.254.0.254 requires a username and password."

3. Now you have logged in the AP's interface.



If you have any other problems, please contact your local dealer.

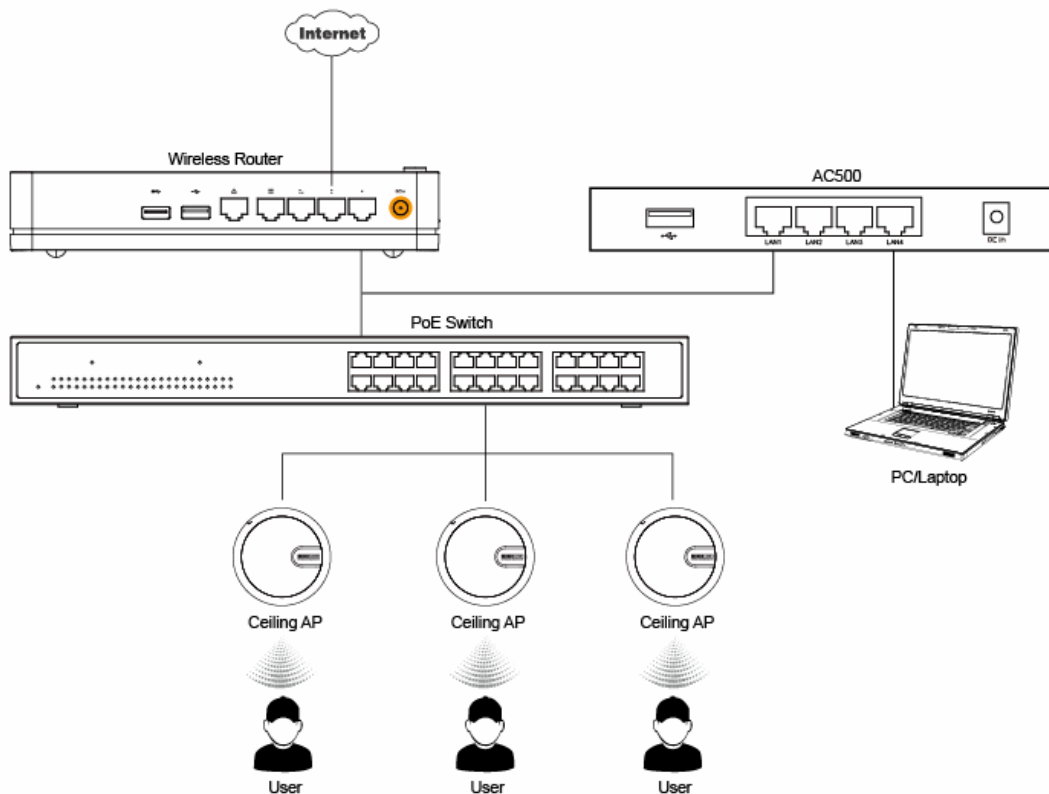
Note:

When you finish the settings for A10, DO REMEMBER to change your PC's fixed IP address to "Obtain an IP address automatically".

Chapter 4. WLAN Controller Setup

TOTOLINK AC500 is a WLAN Controller that used to centrally manage the configuration of multiple A10. If you need to install more than 3 ceiling mount APs, we recommend you use AC500 to centrally manage all of them.

4.1 WLAN Controller Connection

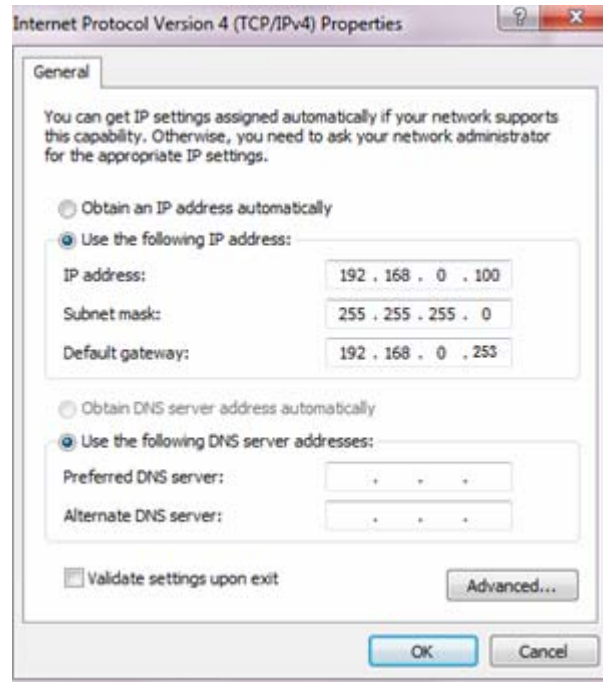


1. Connect AC500's to PoE Switch or Wireless router's LAN port.
2. Connect all APs to PoE switch's RJ45 port.
3. Connect your PC to AC500.

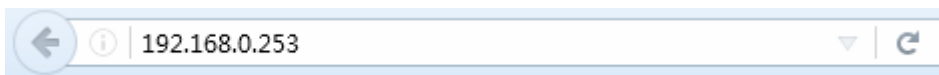
4.2 How to Use AC500

Before login to AC500's Web Management Interface, please set up your PC's IP address to the same network segment as AC500:**192.168.0.253**.

AC750 Wireless Dual Band Ceiling Mount AP



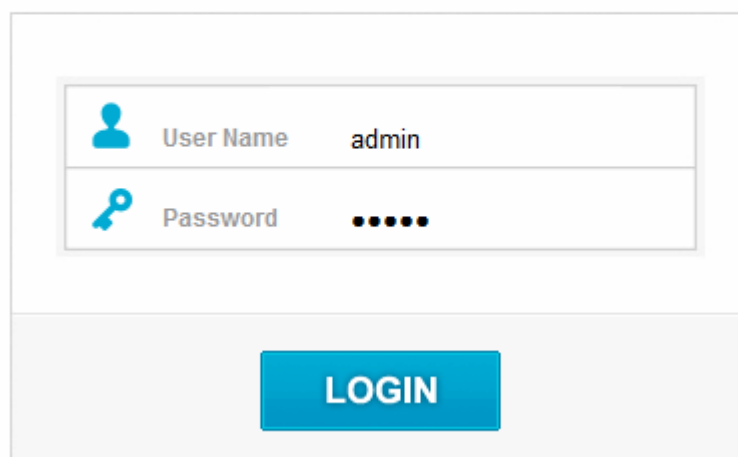
1. Run any web browser, type <http://192.168.0.253> in the web browser, then press Enter.





2. Input the User Name and Password, then click **LOGIN** (The default User name and Password are admin).

USER LOGIN

The server 192.168.0.253 requires a username and password.



	User Name	admin
	Password	••••••

LOGIN

3. Now you have logged into the AC500's Web Management Interface. The first page **AP Scan** allows you to bind all ceiling mount APs to this WLAN controller. (Here you can find the final **Gateway** of each AP).

AC750 Wireless Dual Band Ceiling Mount AP

Model No. AC500 (Firmware V4.0c.1635)

AP Scan

This page is for scanning bound and unbound AP, and were bind to unbind operation. Note: Each AP can be bind to a AC.

[Not Binded Scan List](#) | [Binded Scan List](#)

<input type="checkbox"/> Choose All	ID	AP Name	Group	Network Mode	IP Address	MAC Address	Status	Binding
<input type="checkbox"/>	1	NoName	Ungrouped	Dynamic	169.254.0.4	F4:28:53:27:A7:E8	Not Bind	Bind

Copyright © 2014 TOTOLINK Ltd. All Rights Reserved

4. Then you can check all APs' working status by clicking **AP Status**.

Model No. AC500 (Firmware V4.0c.1635)

AP Status

This page is used to display to connect to the AC of AP status and basic settings.

Group: All

ID	AP Name	Group	IP Address	Device Model	Firmware	Build Time	WIFI Client Information	Running Status	Device Information
1	NoName	Ungrouped	169.254.0.4	N9	V4.0c.1673	2016-02-25	0/64	Normal	Show

http://192.168.0.253/ac/ac_scan.asp

Copyright © 2014 TOTOLINK Ltd. All Rights Reserved

5. Also you can create multiple AP Groups to centrally setup and manage APs . Only APs in **AP Group** can be managed unifiedly.

Model No. AC500 (Firmware V4.0c.1635)

Groups Setting

This page is used to specify a unified set of group information, and apply these settings to all AP belong within the group.

Group: Ungrouped

SSID:

Encryption:

SSID Broadcast:

AP Isolated:

TX Power: (Setting Range 1-100 Default Value is: 100)

Max Connection: (Setting Range 0-64 Default Value is: 32)

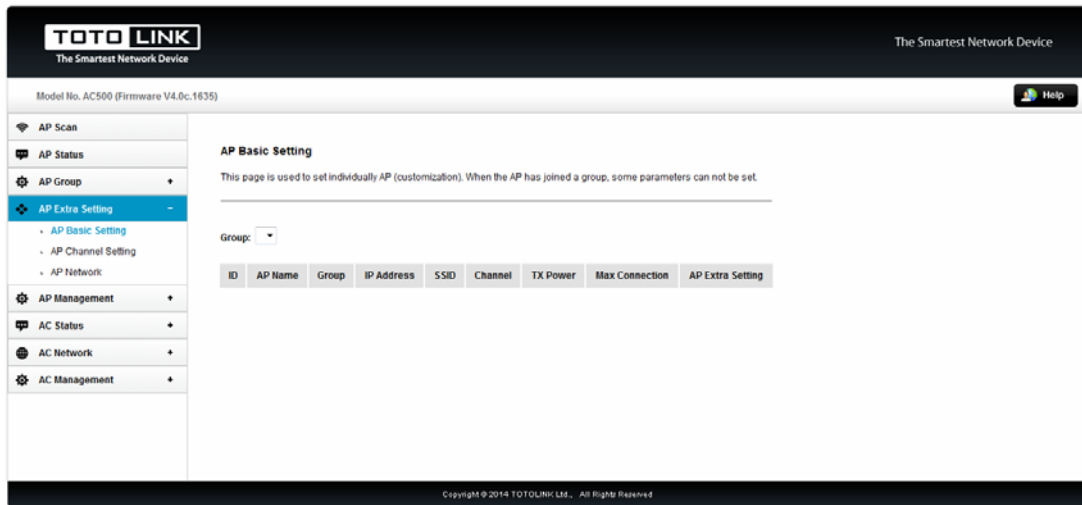
Vlan Tag: (range 0 - 4094, default 0)

Multiple APs List (Maximum allowed to increase 3 AP, first based SSID)

Copyright © 2014 TOTOLINK Ltd. All Rights Reserved

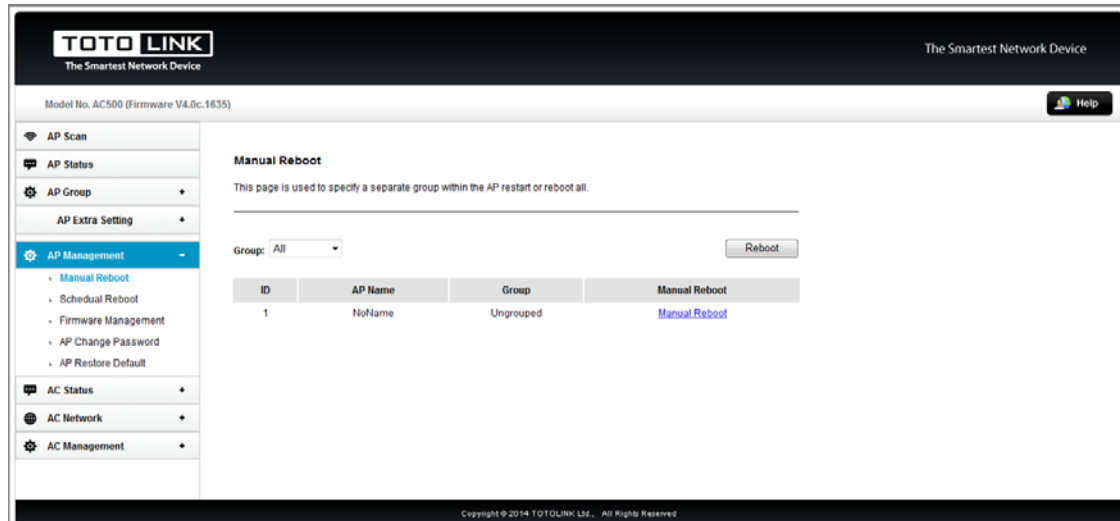
AC750 Wireless Dual Band Ceiling Mount AP

6. The **AP Extra Setting** allows you to setup one AP separately.



The screenshot shows the TOTO LINK web interface for an AC500 (Firmware V4.0c.1635). The left sidebar contains a navigation menu with the following items: AP Scan, AP Status, AP Group, AP Extra Setting (selected), AP Management, AC Status, AC Network, and AC Management. The main content area is titled "AP Basic Setting" and includes a "Group:" dropdown menu. Below the dropdown is a table with the following columns: ID, AP Name, Group, IP Address, SSID, Channel, TX Power, Max Connection, and AP Extra Setting. The footer of the interface reads "Copyright © 2014 TOTO LINK Ltd., All Rights Reserved".

7. **AP Management** is designed to configure the AP Group's unified settings, including reboot setting, firmware management, login password and default settings.



The screenshot shows the TOTO LINK web interface for an AC500 (Firmware V4.0c.1635). The left sidebar contains a navigation menu with the following items: AP Scan, AP Status, AP Group, AP Extra Setting, AP Management (selected), AC Status, AC Network, and AC Management. The main content area is titled "Manual Reboot" and includes a "Group:" dropdown menu set to "All" and a "Reboot" button. Below the dropdown is a table with the following columns: ID, AP Name, Group, and Manual Reboot. The footer of the interface reads "Copyright © 2014 TOTO LINK Ltd., All Rights Reserved".

ID	AP Name	Group	Manual Reboot
1	NoName	Ungrouped	Manual Reboot

For more information about AC500, please visit www.totolink.net.